

FULL
TEXT

US D507,319 S

PUTTER

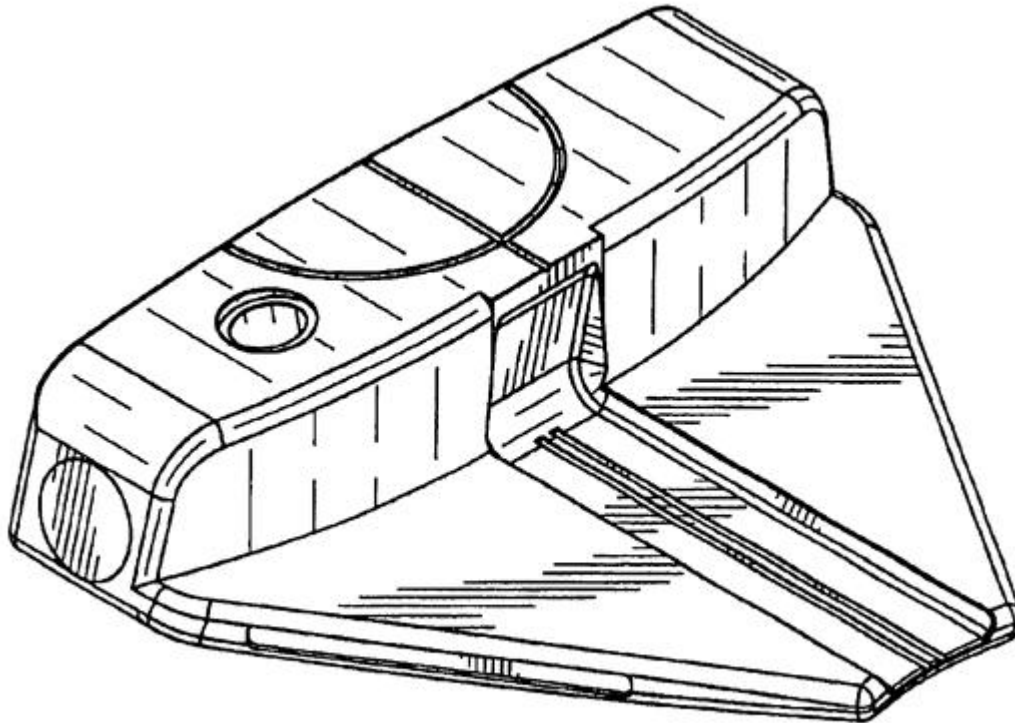
**Wiestaw Kramski, Birkenfeld (Germany)
Assigned to Kramski GmbH, Pforzheim (Germany)**

Filed on Mar. 29, 2004, as Appl. No. 29/202,281.

Term of patent 14 Years

LOC (7) Cl. 21 - 02

U.S. Cl. D21—744



The ornamental design for a putter, as shown and described.